



By EarthCruiser

Your life. Your adventure. Build accordingly.

New to the EarthCruiser family, the MOD (My Own Design) camper allows you to create your perfect small footprint, four-season camping vehicle. Install only the features you need, and create your perfect home on four wheels.

Find out how the lightest, most customizable, and most reliably designed camper is redefining the truck camper industry.



Reserve your build today
Give us a Call 541.706.9101

EarthCruiser MOD

MOD stands for My Own Design and it is backbone on which we developed this new camper. The MOD has a modular interior that can be customized by simply adding and subtracting pre-built kits- PAKs (Personal Accessory Kits) allowing you to take the amenities you need on any adventure. The MOD is truly a reflection of you and your lifestyle.

A durable base shell is ready to take on all four seasons. Every MOD has a base floor plan that includes a cab-over bed, dinette seating with table that converts into a small bed, corner storage unit, and an electrical system to power two ceiling lights and 12volt accessories. Now we get to the fun stuff... choose any of the overland travel PAKs that make sense for your back country adventure, your weekend away from it all, or your new office with a view. Available PAKs include sink, shower, refrigeration, toilet, cooking, solar and additional storage. EarthCruiser PAKs plug-and-play in minutes, allowing you to customize on the fly for any adventure.

<h1>PAKS</h1> <p>PERSONALIZED ACCESSORY KITS</p>	Sink	Toilet
	Shower	Cooking
	Refrigeration	Solar

Specifications

Weight

MOD 300- 700 lbs
MOD 400- 800 lbs

Materials

One-Piece Composite Shell

Options

Various Modular Interior Kits Called PAKs, these are to be released by August 2018

Available

September 2018

MSRP:

MOD 300: \$22,000
MOD 400: \$23,500

Fit Guide

MOD300

Chevy/GM

04-12 Colorado/Canyon, short bed *(57 in)
15-16 Colorado/Canyon, short bed *(55.5 in)
01-04 S10/Sonoma, short bed *(56.375 in)
04-12 Colorado/Canyon, 6' bed *(57 in)

Dodge

00-11 Dakota, 5' short bed *(57.5 in)
97-2011 Dakota, 6.5' bed *(57.5 in)

Honda

17 Ridgeline, 5' bed *(55 in)

MOD400

Chevy

1999-2019 Sierra | 5.5' and 6.5' bed

Dodge

1994-2019 Ram 1500, 2500 | 5.5' and 6.5' bed

Ford

1997-2019 F-150, F-250 | 5.5' and 6.5' bed

Nissan

01-04 Frontier, short bed *(54.69 in)
05-16 Frontier, short bed *(58.69 in)
01-17 Frontier, 6' bed *(54-58 in)

Toyota

01-04 Tacoma, 5' short bed *(57.13 in)
05-15 Tacoma, 5' short bed *(56.25 in)
16-17 Tacoma, 5' short bed *(55 in)
01-17 Tacoma, 6' bed *(56 in)

Ford

98-11 Ranger, 6' bed *(54.125 in)
06-08 F-150, 6.5' Stepside *(53.63 in)

GMC

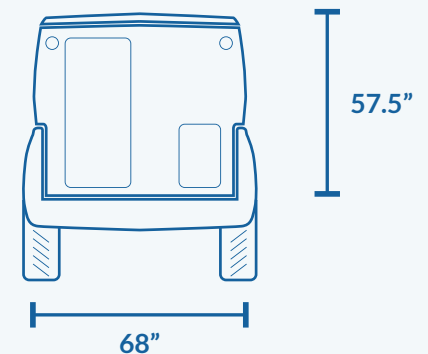
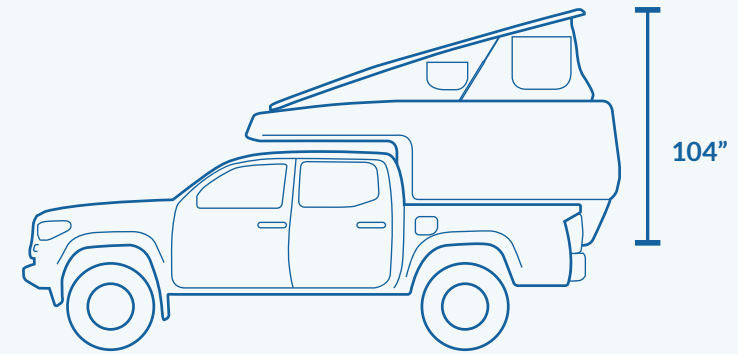
1999-2019 Silverado | 5.5' and 6.5' bed

Nissan

2004-2019 Titan | 5.5' and 6.5' bed

Toyota

2004-2019 Tundra | 5.5' and 6.5' bed



Reserve your
build today

Give us a Call 541.706.9101



Our Story

EarthCruiser vehicles are purpose built by EarthCruiser Overland Vehicles Pty. Ltd. a company owned and operated by talented individuals, with over 25 years' experience in their respective fields. Based out of Bend, Oregon and exporting to the world.

Our Promise

We are a world class overland expedition company dedicated to a community who want a lifestyle of traveling without barriers, by being passionate about each product we produce and having a commitment to the needs of overland travelers. We will continue to innovate, educate and advocate for expedition style traveling in hopes to encourage our generation as well as future generations to live a lifestyle of adventure.



EXP



FX



GZL



If adventure is in your blood, we need to talk. Our vehicles enable you to go further and stay longer with total confidence. We love what we do and enjoy talking story with like minded individuals. Give us a call and let's get the adventure started.

541.706.9101 / EarthCruiser.com / sales@earthcruiser.com